

## IP Traffic Management for Small Business

*Dyband helps small businesses deliver more consistent, reliable access services to all users, guarantee priority bandwidth to dedicated critical applications and vital groups, and reduce costs.*

### The Challenge: Monitoring and controlling today's bandwidth usage and predicting tomorrow's needs.

In today's business environment, there is pressure to provide all users with consistent high-speed Internet connectivity. Some critical business applications and groups must have priority, yet you can't "starve" lower priority users. Unsanctioned traffic across your network, which can steal significant bandwidth, has to be tightly controlled. All the while, there is pressure from management to keep the cost of connectivity down. Organizations either buy as much bandwidth as they can afford, recognizing it is not sufficient to handle peak utilization, or provision bandwidth to meet peak demand, and bear the cost of an underutilized network.

Without adequate visibility into network usage, the best a network administrator can do is guess at the needs of his users. How can he determine how much bandwidth is enough? How does he calculate daily peak traffic periods or find out which users or systems are generating the bulk of the traffic load? Tools like MRTG can provide some visibility, but reports on individual users would take hours or days to run.

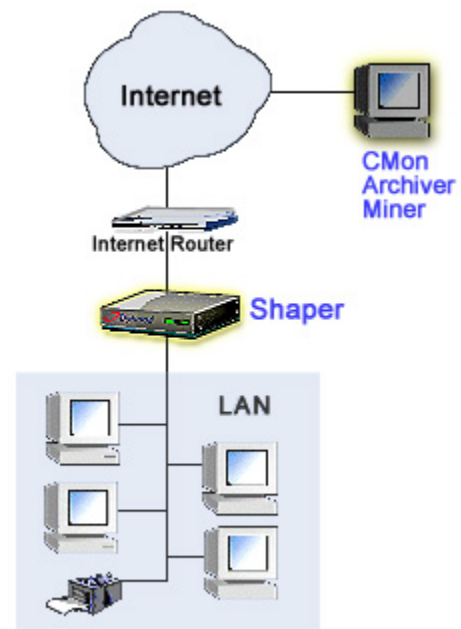
Now, there's a better way. Dyband intelligent bandwidth management can give businesses *absolute* control of their bandwidth through unique monitoring, management and visibility tools. Dyband delivers a significant improvement in bandwidth utilization that can increase organizational productivity *and* lower costs, all while giving users what they need – consistent, reliable high speed access.

### The Solution: Dyband E520 IPTM

Dyband's E520 intelligent traffic management solution enables businesses to control bandwidth consumption, by IP address, for up to 50,000 managed points—individuals, groups, subnets, and/or gateways. Multiple allocation schemes (*e.g., guaranteed, preferred, equitable*) distribute available bandwidth across all managed points during both normal and congested conditions.

By evaluating the bandwidth capacity/demand ratio 100 times per second (regardless of traffic load), Dyband can dynamically shape individual and aggregate bandwidth usage based on traffic conditions. This minimizes network congestion, reduces packet loss, and optimizes Internet backbone utilization.

The Dyband E520 also allows businesses to define and manage a virtually unlimited number of service levels so that dedicated critical applications like Oracle or SAP, or vital departments or work groups such as accounting or executive management, have the bandwidth and priority they need.





Intelligent  
IP Traffic Management  
Solutions

The Dyband E520 IPTM enables new visibility into bandwidth consumption, allowing operators to make real-time usage decisions, and gather comprehensive historical statistics for capacity analysis, usage-based billing or departmental charge-backs, and technical/customer support.

The greatest strength of the Dyband E520 lies in its impact on an organization's ability to "power" its business. Dyband will reduce operating costs, while delivering more consistent, reliable service to all users and guaranteeing priority bandwidth to dedicated critical applications and vital groups. Studies based on live customer use have shown that businesses can recoup their investment in Dyband within six months.

### The Benefits of Dyband at a Glance

- Guarantees that dedicated critical applications and vital departments or groups have the bandwidth and priority they need
- Delivers more consistent, reliable service to all users, regardless of their priority or bandwidth classification
- Eliminates the need to provision bandwidth to meet peak demand
- Controls the unsanctioned use of bandwidth by individuals
- Reduces operating costs
- Delivers better utilization of your current connection. Add up to 25% more users to the network without adding more bandwidth
- Minimizes network congestion, reduces packet loss and eliminates congestion-related outages
- Monitors who is using bandwidth and at what time. Allows an administrator to adjust the usage of individuals or groups in real time. Collects historical statistics for later analysis.

### Dyband Components and The Network Fit

The network diagram in Figure 1 depicts the Dyband E520 solution deployed in a corporate network. The solution comprises several components: The Shaper, CMon, Archiver, Miner and Profile Push.

The Shaper is installed between the distribution network and Internet router. It is responsible for shaping Internet traffic and collecting real-time statistics. Since the Shaper has no user interface, a separate application, CMon, is used to configure and manage the Shaper. With CMon, the network administrator can view and modify the topology of managed objects, manage service profiles and view real-time statistics. ProfilePush distributes global profiles to remote Shapers. Archiver extracts real-time statistics from one or more Shapers and stores them in an ODBC database, and the Miner application enables network administrators to generate and view reports that contain historical performance data. In addition, the E520 allows essential operational status information to be monitored by existing network management platforms via SNMP.

The Dyband E520 solution is easy to install and runs on industry-standard hardware platforms with a Pentium processor or equivalent, 200 MHz or higher, and operating systems such as Red Hat Linux 6.2 or 7.1, and Windows 2000 and NT.

### Dyband E520 IPTM Availability

The Dyband E520 solution is available today in a broad range of configurations that scale to meet the needs of businesses as they grow—from 1 Mbps to 155 Mbps of managed bandwidth per Dyband unit. Prices for the Dyband E520 start at \$500 USD and are dependent on the aggregate amount of bandwidth managed by the Dyband solution.

For further information on Dyband, and how it can benefit your firm, contact us at [sales@dyband.com](mailto:sales@dyband.com) OR visit us at [www.dyband.com](http://www.dyband.com).

Dyband Corporation  
215 Stafford Road West, Unit 103  
Ottawa, Ontario K2H 9C1 Canada

